



Features & Benefits

High quality foam spray

Dense consistent foam spreads evenly and perfectly on all surfaces. It is an effective degreaser as the foam adheres longer into a (vertical) surface so the product can get to work.

Propellant-Free & Non-Pressurized

Free your brands from problematic propellant gases and high-pressurized packaging.

Continuous foam spray

Repeated actuation creates an endless foam spray allowing large areas to be covered quickly and easily.

Re-fillable

Providing sustainability for your brand.

Re-fill bottle

The re-fill bottle provides means to stay connected with your consumer, increases sustainability & saves costs.

Specifications

Head

Spray pattern
Dense foam

Nozzle

0.35 mm

Output

± 1.45 cc

Spray duration

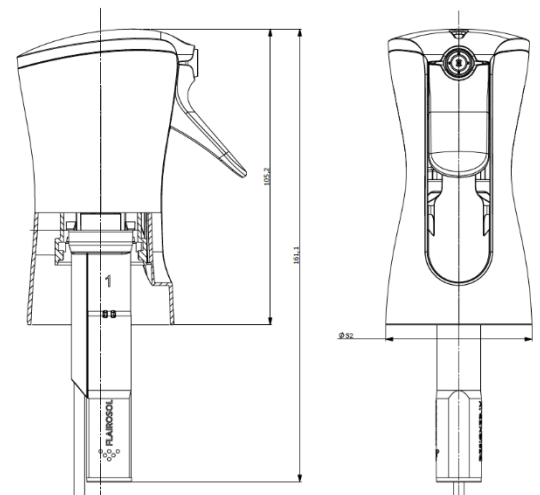
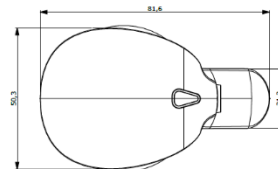
±0.8 sec

Materials




PP, PE and metal spring

Standard colors

Black, White



Bottle Range

Claim volume	Shape	Material	Neck	Color	Image
180 ml / 6.1 oz	Cylindrical	PET	Bayonet non-lock	Black White Transparent	
290 ml / 9.8 oz	Cylindrical	PET	Bayonet non-lock	Black White Transparent	
330 ml / 11.2 oz	Conical	PET	Bayonet non-lock	Black White Transparent	
600ml / 20.3 oz	Spherical	PET	Bayonet non-lock	Black White Transparent	n/a

Refill Cap

Material: PP
Weight: 8.9 gram
Colors: Black, White



Bayonet closure



The bayonet closure allows for easy attachment and detachment of the bottle, only an 45° twist movement is required.



Americas: +1 8622 6094 50
Asia & Pacific: +65 9751 2994
China: +86 2131 0639 00
Europe & Africa: +31 40 309 9600

info@flairosol.com
www.flairosol.com

FLAIROSOL IS A BRAND OF **AFA** Dispensing